

- 5** Insert the adapter with the sensor into the socket and tighten the swivel nut. Make sure that the O-ring is inserted in the groove.

Technical data

Material	PVC
Max. pressure	3 bar
Max. temperature	50 °C (122 °F)

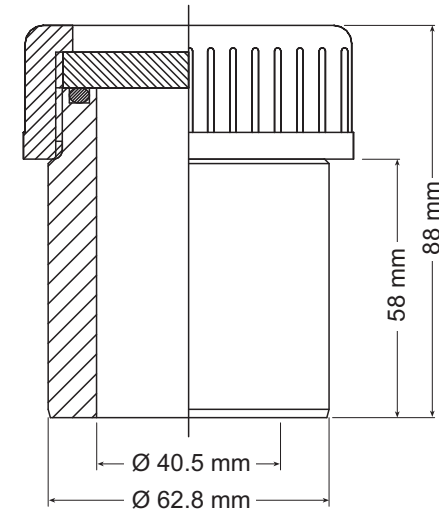


a xylem brand

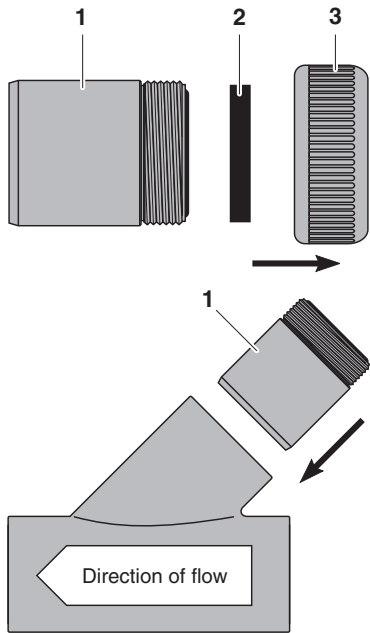
Installation instructions

Mounting set for flow-thru measurements

EBS 700-DU/N



Assembly



- 1** Unscrew the swivel nut (3) from the glue-in socket (1) and remove the blank cover (2).
- 2** Glue the glue-in socket (1) into the pipe system (e. g. T-piece).

Mounting of Sensors

- 1** Select the adapter from the following table.

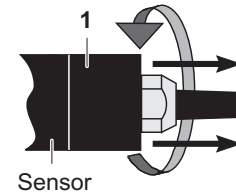
Sensor	Adapter	Order no.
TriOxmatic® 690 / 700 / 701 / 700 IN; CellOx® 700; TetraCon® 700	ADA-DF 8	203 775Y
SensoLyt® 690 / 700	ADA-DF 10	203 779Y
TetraCon® 700 IQ; SensoLyt® 700 IQ TriOxmatic® 700 IQ / 701 IQ	ADA-DF 9	203 777Y

Sensors with adapter ADA-DF 9:

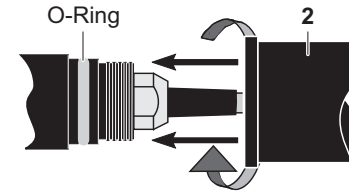


Refer to the installation manual of the adapter.

Sensors with adapters ADA-DF 8 or ADA-DF 10:



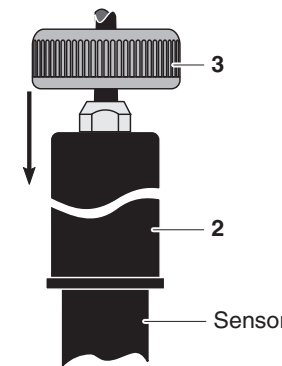
- 2** Unscrew the protection ring (1) from the sensor.



- 3** Pull the sensor cable through the adapter (2). Then screw the adapter on the sensor.



The O-Ring must be lubricated!



- 4** Pull the sensor cable through the swivel nut (3). Then slide the swivel nut over the adapter (2).